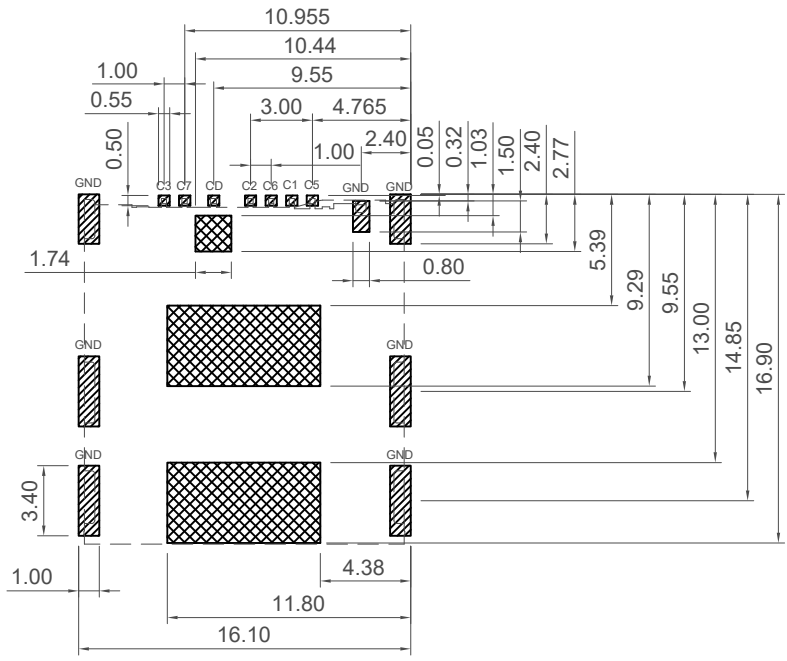
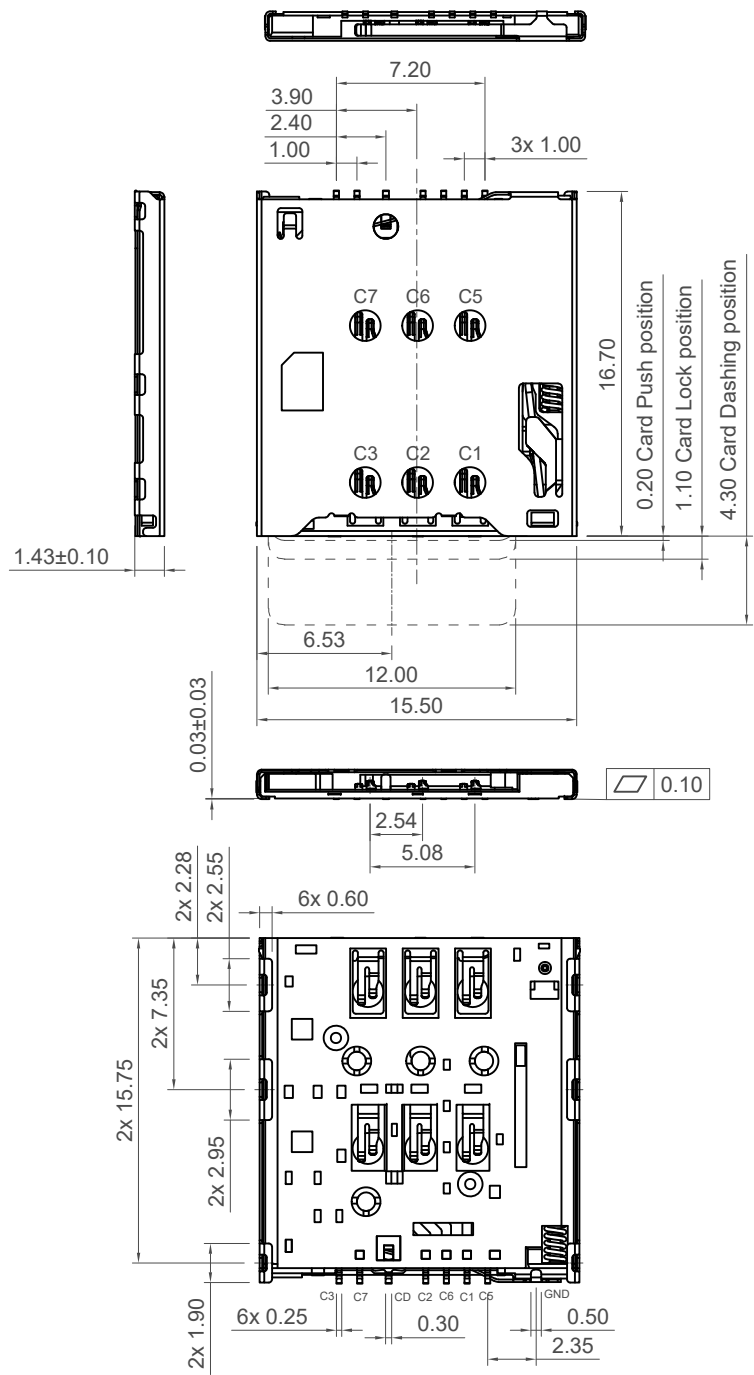
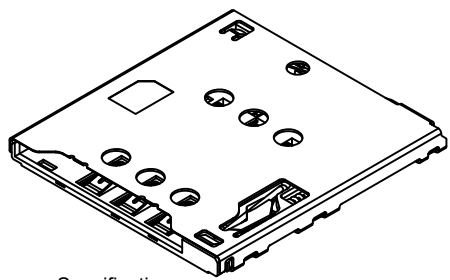
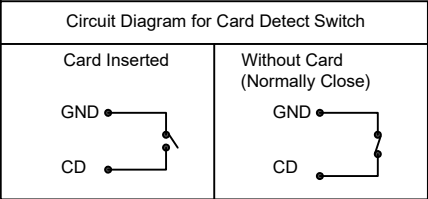


H
G
F
E
D
C
B
A



Recommended PCB Layout
 General Tolerance ± 0.05
 Locating peg holes only applicable to locating peg version
 [Hatched] Solder Area [Cross-hatched] Keep Out Area [Dashed] Component Outline



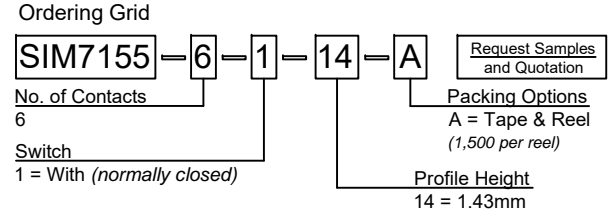
Specification:

Material:
 Housing: LCP, UL94V-0, Black
 Slider: LCP, UL94V-0, Black
 Contact Terminal: Copper Alloy
 Shell: Stainless Steel
 Link: Stainless Steel
 Spring: Stainless Steel

Plating:
 Contact Terminal:
 Contact Area: Gold Flash
 Solder area: Gold Flash
 Underplating: Ni overall 50 μ m min.
 Shell: Ni overall, 50 μ m min.
 Solder area: Gold Flash
 Link & Spring: Heating Treatment

Electrical:
 Voltage Rating: 30V max.
 Current Rating: 0.5A max.
 Dielectric Withstanding: 500V AC
 Insulation Resistance: 1000 M Ω min.
 Contact Resistance:
 Initial: 100 m Ω max. (signal)
 300 m Ω max. (switch)
 Final: 150 m Ω max. (signal)
 400 m Ω max. (switch)

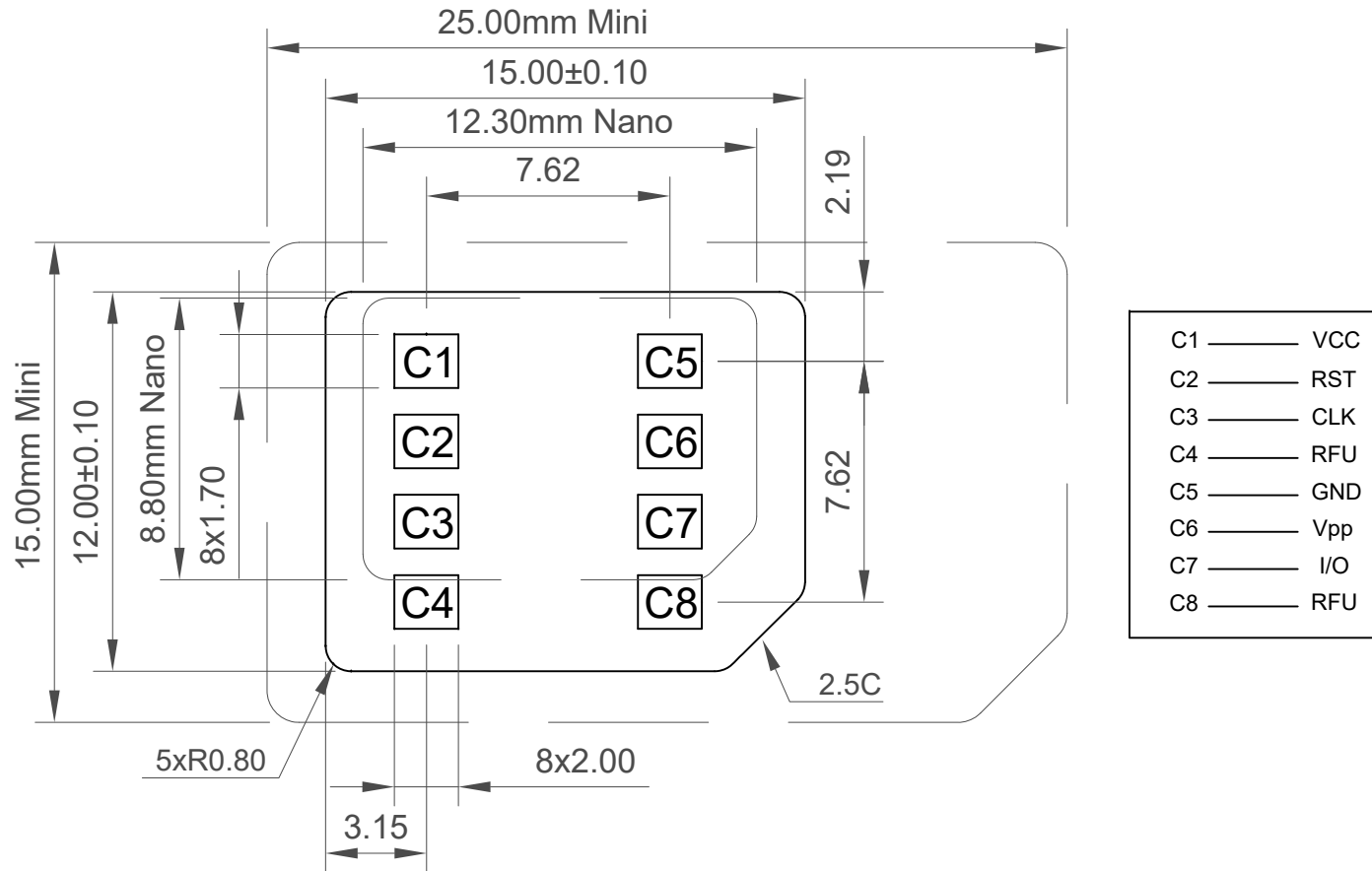
Mechanical:
 Duration: 3000 cycles
 Operating Temperature: -40°C to +85°C



Part Number		Product Description			 www.gct.co
SIM7155		Micro SIM Card Connector - Push-Push Type			
Drawing Date		12th April 2021			
By	CC	Tolerances (Except as Noted)	Units:	 3rd Angle Projection	This drawing is confidential and copyright of Global Connector Technology, Ltd (GCT). This drawing must not be copied or disclosed without written consent. E & OE
Detail	SIM7155 B PCN	Length	Metric (mm)		
Revision	B	Angle	X.X \pm 0.30 X.XX \pm 0.25 X.XXX \pm 0.10		
Date	25/03/23	X. $^{\circ}$ \pm 2 $^{\circ}$			
Not to Scale	Drawn By	Sheet No.			
	CC	1/3			

Micro SIM Reference

thickness = 0.76 ± 0.08



Part Number		Product Description	
SIM7155		Micro SIM Card Connector - Push-Push Type	
Drawing Date		6 Pin, SMT, 1.43mm Profile	
12th April 2021			
By	CC	Tolerances (Except as Noted)	Units:
Detail	SIM7155	Length	Metric (mm)
Revision	B PCN	Angle	
Date	25/03/23	X.X ± 0.30	
		X.XX ± 0.25	
		X.XXX ± 0.10	
		X.° ± 2°	

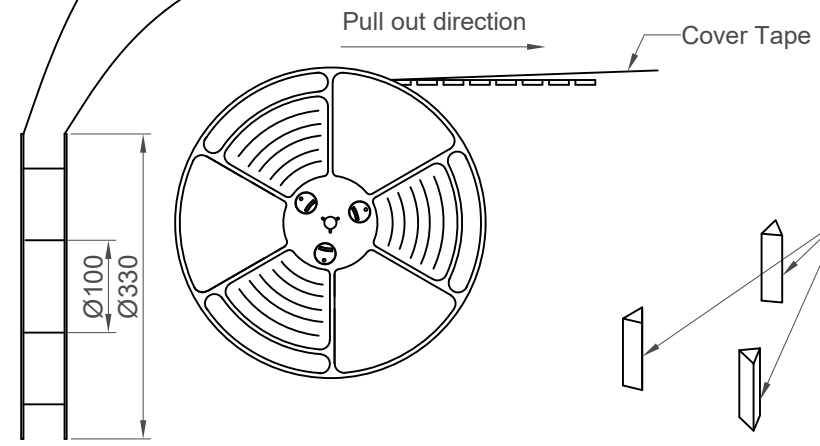
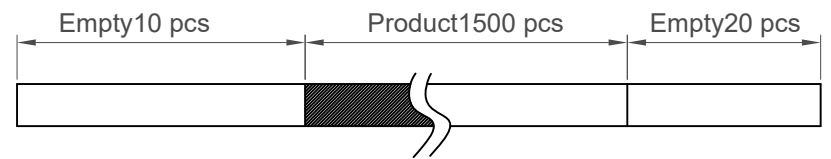
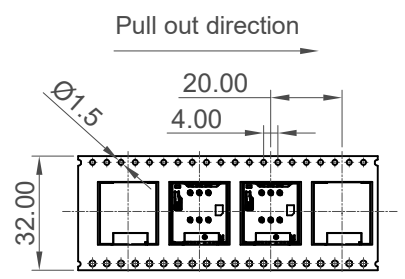


This drawing is confidential and copyright of Global Connector Technology, Ltd (GCT). This drawing must not be copied or disclosed without written consent. E & OE

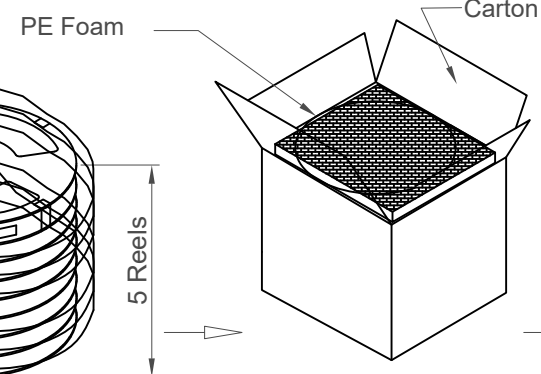
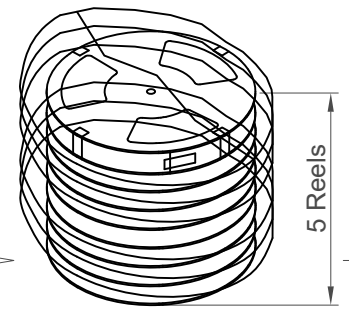
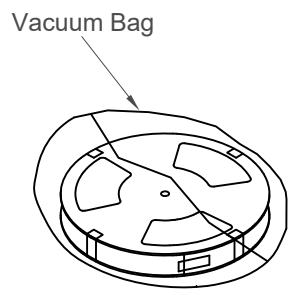
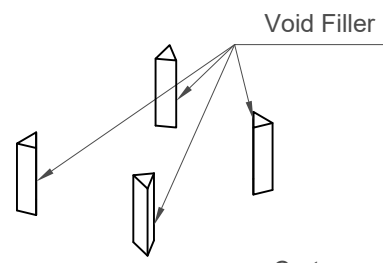


Not to Scale	Drawn By CC	Sheet No. 2/3
--------------	-------------	---------------

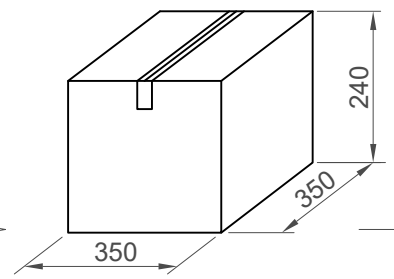
H
G
F
E
D
C
B
A



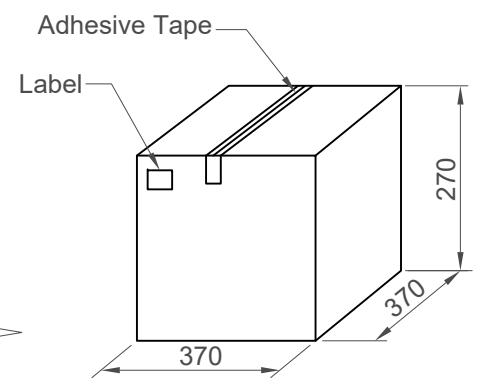
Pcs/Reel	Reels/Carton	Pcs/Carton
1500	5	7500



1500pcs x 5=7500pcs



Inner Carton
350x350x240mm



Outer Carton
370x370x270mm

Part Number SIM7155		Product Description Micro SIM Card Connector - Push-Push Type 6 Pin, SMT, 1.43mm Profile		 www.gct.co
Drawing Date 12th April 2021				
By CC	CC	Tolerances (Except as Noted) Length Angle	Units: Metric (mm)	
Detail SIM7155 B PCN		X.X ± 0.30 X.XX ± 0.25 X.XXX ± 0.10	X.° ± 2°	
Revision B				This drawing is confidential and copyright of Global Connector Technology, Ltd (GCT). This drawing must not be copied or disclosed without written consent. E & OE
Date 25/03/23				
				Not to Scale Drawn By CC
				Sheet No. 3/3

1 2 3 4 5 6 7 8