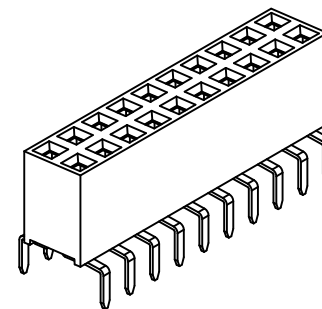
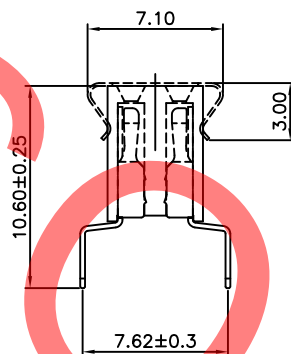


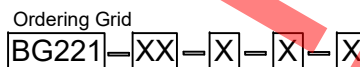
RECOMMENDED PCB LAYOUT



CONTACTS	DIMENSIONS	
	A	B
04	2.54	5.08
06	5.08	7.62
08	7.62	10.16
10	10.16	12.70
12	12.70	15.24
14	15.24	17.78
16	17.78	20.32
18	20.32	22.86
20	22.86	25.40
22	25.40	27.94
24	27.94	30.48
26	30.48	33.02
28	33.02	35.56
30	35.56	38.10
32	38.10	40.64
34	40.64	43.18
36	43.18	45.72
38	45.72	48.26
40	48.26	50.80
42	50.80	53.34
44	53.34	55.88
46	55.88	58.42
48	58.42	60.96
50	60.96	63.50
52	63.50	66.04
54	66.04	68.58
56	68.58	71.12
58	71.12	73.66
60	73.66	76.20
62	76.20	78.74
64	78.74	81.28
66	81.28	83.82
68	83.82	86.36
70	86.36	88.90
72	88.90	91.44
74	91.44	93.98
76	93.98	96.52
78	96.52	99.06
80	99.06	101.60

SPECIFICATIONS 规格
 CURRENT RATING 电流额定值: 3 AMP
 INSULATOR RESISTANCE 绝缘电阻值: 1000 MΩ Min.
 CONTACT RESISTANCE 接触电阻值: 20mΩ Max.
 DIELECTRIC WITHSTANDING 耐电压: AC 600 V
 OPERATING TEMPERATURE 工作温度: -40°C TO +105°C
 CONTACT MATERIAL 端子物料: COPPER ALLOY
 INSULATOR MATERIAL 绝缘体物料:
 STANDARD 标准物料: POLYAMIDE 聚酰胺, NYLON 6T, UL 94-V0
 OPTIONS 可选物料: POLYESTER 聚酯, LCP, UL 94-V0
SOLDERING PROCESS 可焊性:
 NYLON 6T (STANDARD 标准物料) -
 IR REFLOW 回流焊: 260°C for 10 sec.
 WAVE 波峰焊: 230°C for 5-10 sec.
 MANUAL SOLDER 人工焊接: 350°C for 3-5 sec
 LCP (OPTION 可选物料) -
 IR REFLOW 回流焊: 260°C for 10 sec.
 WAVE 波峰焊: 250°C for 5-10 sec.
 MANUAL SOLDER 人工焊接: 350°C for 3-5 sec

MATES WITH 配套之母座 (SUBJECT TO PIN LENGTH 在端子长度适合的条件下):
 BG025 BG040 BG041 BG045 BG050
 BG065 BG070 BG085



Ordering Grid
 BG221-XX-X-X-X
 REQUEST SAMPLES AND QUOTATION

No. of Contacts
 04 to 80

A = Gold Flash All Over
 B = Selective Gold Flash Contact Area/
 Tin On Tail
 C = Tin All Over
 G = 10μ" Gold Contact Area/Tin On Tail
 I = 30μ" Gold Contact Area/Tin On Tail
Standard = Gold Flash All Over

Packing Options
 D = Tube (Standard)
 E = Tube with Cap
 F = Tube with Film
 G = Plastic Box

Insulator Material
 N = Nylon 6T (Standard)
 L = LCP

For bottom entry applications, stringent soldering control & pin alignment are required, else misalignment of lead to pad due to soldering will make bottom entry impossible.

By	BC	AJO
DETAIL	DRAWING RELEASE	BG221 X ELON
REV DATE	A 09/04/07	X 12/06/16



Tolerances (Except as noted)	Part Number:-	Date:-
Dimensions in mm	BG221	09 APR 07
X ± 0.30 X' ±5° X.X ± 0.25 X' ±3° X.XX ± 0.15 XX' ±2° X.XXX ± 0.10 XXX' ±1°	Description:-	
	2.54mm PITCH SOCKET, DUAL ROW, THROUGH-HOLE, VERTICAL, DUAL ENTRY	
Third Angle Projection	© THIS DRAWING IS CONFIDENTIAL AND MUST NOT BE COPIED OR DISCLOSED WITHOUT WRITTEN CONSENT	

GCT
 www.gct.co

Scale NTS	Revision X	Material See Note	Drawn by BC	Sheet No. 1/1
-----------	------------	-------------------	-------------	---------------